

Free Pins

2 - 7
15

These pins can be used by the operator for digital Inputs and Outputs

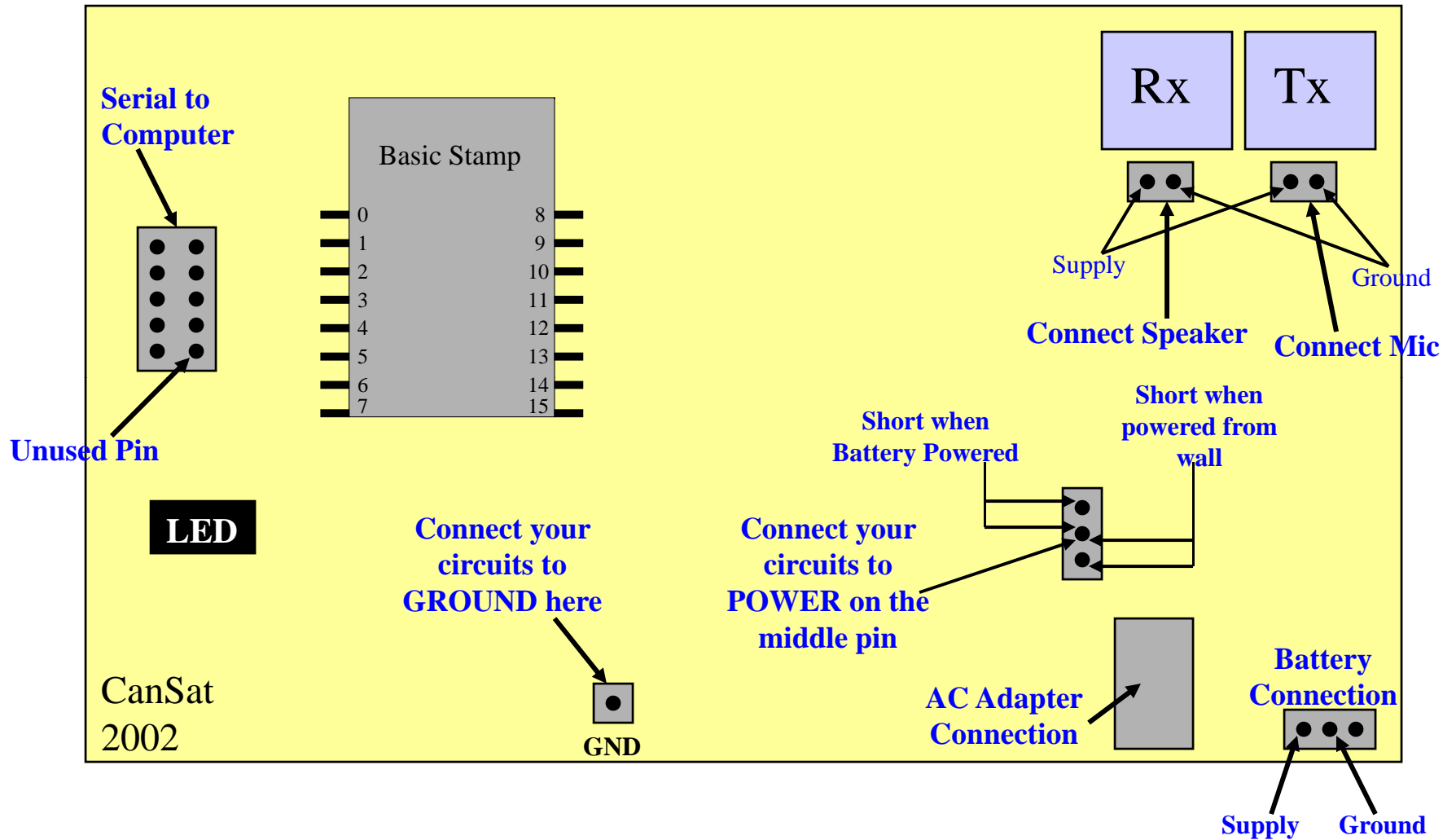
Used Pins

0
1
8 - 14

These pins are dedicated to the boards communications system and should not be used for anything else

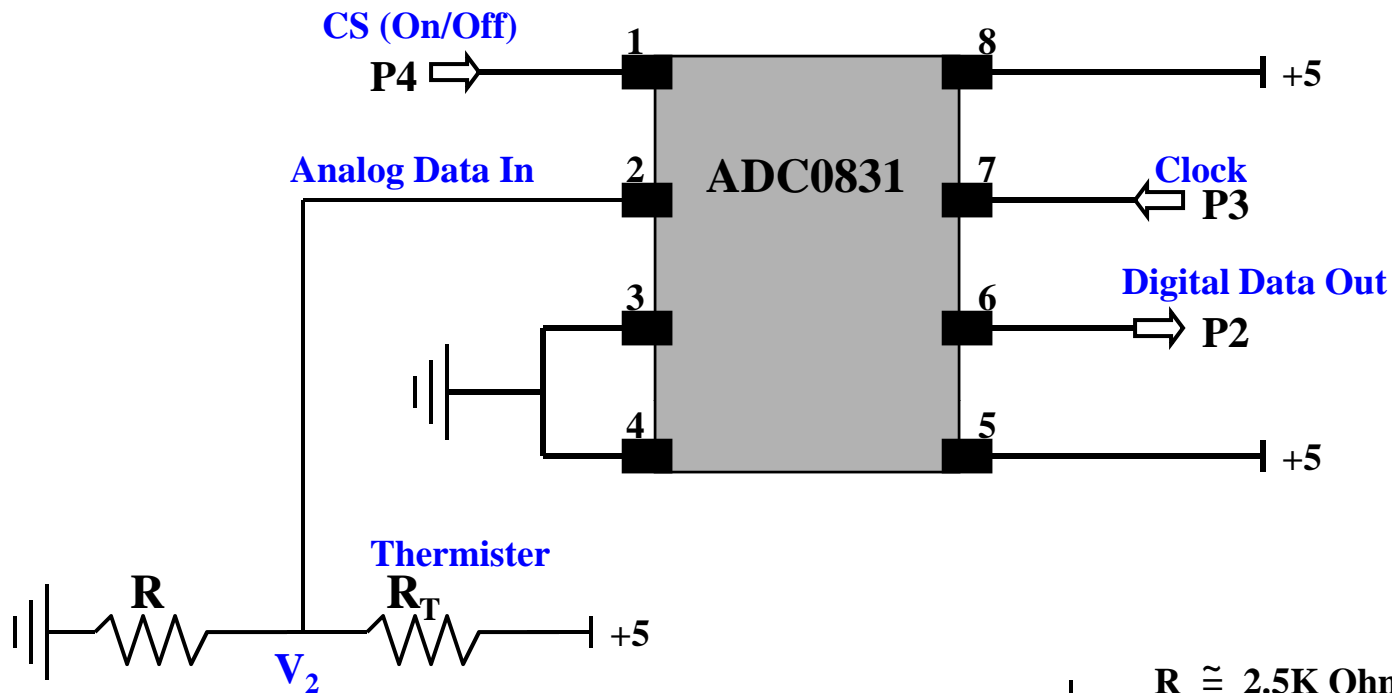
Not to Scale

CanSat 2002: Board Connections



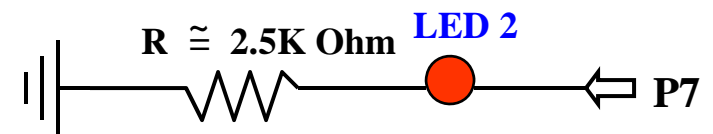
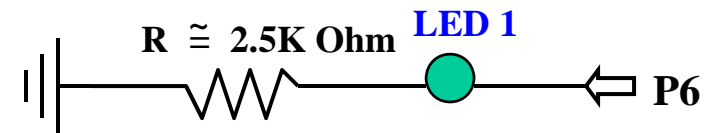
Not to Scale

Sensor Circuit Diagram: Including ADC0831 A-D Converter



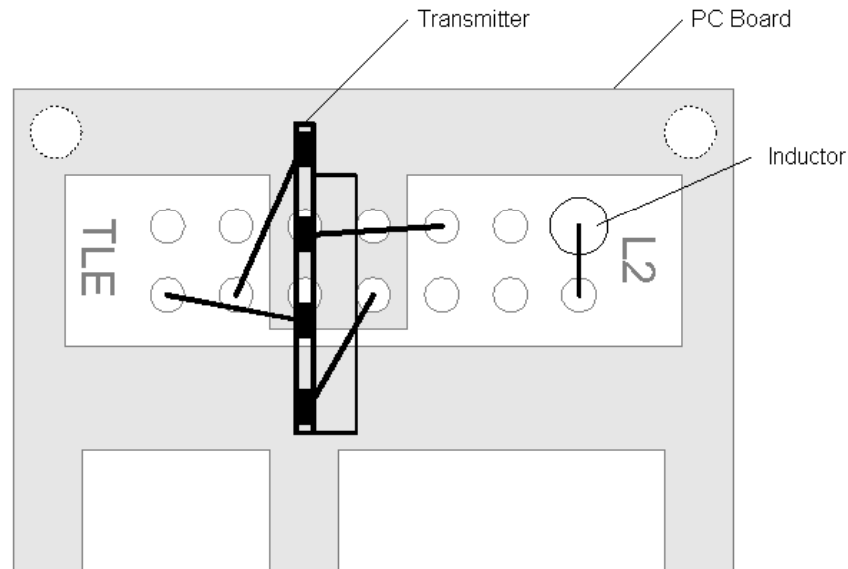
$$V_2 = \frac{\text{Digital Data Out}}{255} * 5_{\text{volts}}$$

$$R_T = R * \left(\frac{5}{V_2} - 1 \right)$$

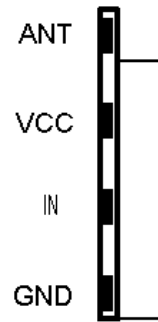


Not to Scale

CricketSat
Transmitter Installation Modification Details



CricketSat
Plan View



Transmitter
Pin Designations