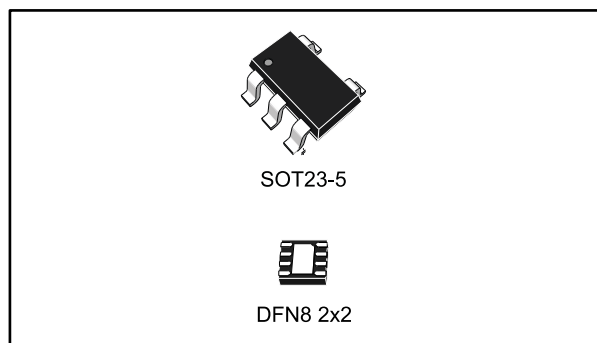


Low-power single voltage comparator

Datasheet - production data



Description

This device consists of a low-power voltage comparator designed specifically to operate from a single supply over a wide range of voltages. Operation from split power supplies is also possible.

This comparator also has a unique characteristic in that the input common-mode voltage range includes ground, even though operated from a single power supply voltage.

Features

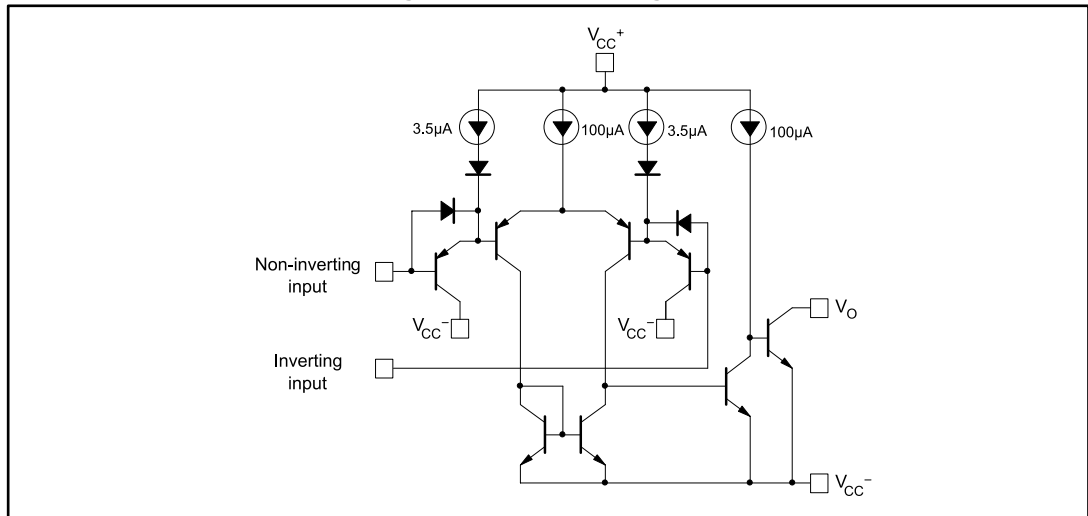
- Wide single supply voltage range or dual supplies 2 V to 36 V or ± 1 V to ± 18 V
- Very low supply current (0.2 mA) independent of supply voltage (1 mW/comparator at 5 V)
- Low input bias current: 25 nA typ.
- Low input offset current: ± 5 nA typ.
- Low input offset voltage: ± 1 mV typ.
- Input common-mode voltage range includes ground
- Low output saturation voltage: 250 mV typ. ($I_o = 4$ mA)
- Differential input voltage range equal to the supply voltage
- TTL, DTL, ECL, CMOS compatible outputs

Contents

1	Schematic diagram.....	3
2	Package pin connections.....	4
3	Absolute maximum ratings and operating conditions	5
4	Electrical characteristics	6
5	Electrical characteristic curves	7
6	Package information	8
	6.1 SOT23-5 package information	9
	6.2 DFN8 2 x 2 package information.....	10
7	Ordering information.....	12
8	Revision history	13

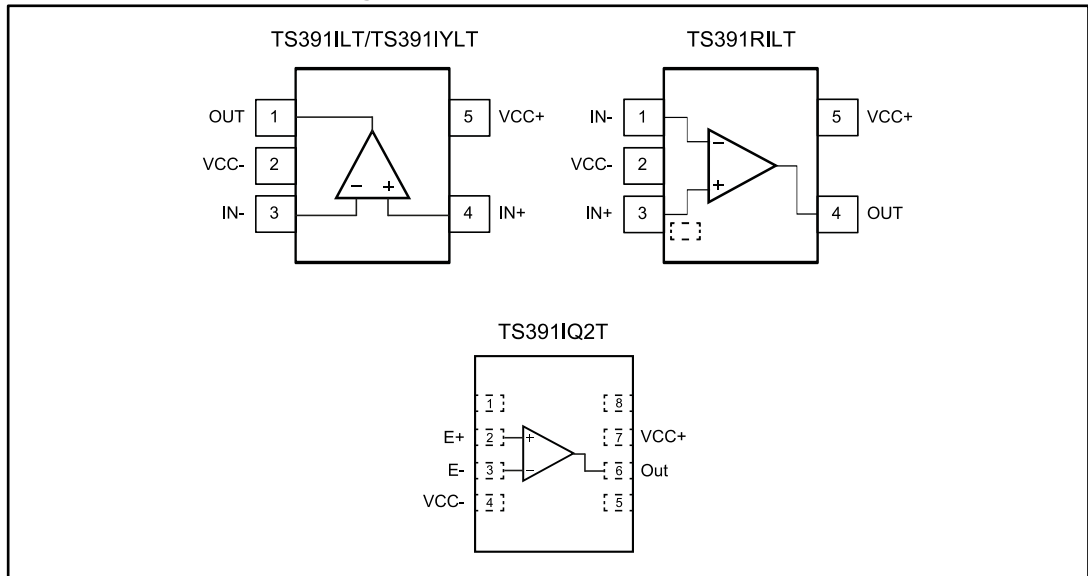
1 Schematic diagram

Figure 1: Schematic diagram



2 Package pin connections

Figure 2: Pin connections (top view)



3 Absolute maximum ratings and operating conditions

Table 1: Absolute maximum ratings (AMR)

Symbol	Parameter	Value	Unit	
V_{CC}	Supply voltage	± 18 or 36	V	
V_{id}	Differential input voltage	± 36		
V_i	Input voltage	-0.3 to 36		
V_o	Output voltage ⁽¹⁾	36		
	Output short-circuit to ground ⁽²⁾	Infinite		
T_j	Maximum junction temperature	150	°C	
T_{stg}	Storage temperature range	-65 to 150		
R_{thja}	Thermal resistance junction to ambient ⁽³⁾	SOT23-5	250	°C/W
		DFN8 2x2	57	
ESD	Human body model (HBM) ⁽⁴⁾	1500	V	
	Machine model (MM) ⁽⁵⁾	100		
	Charged device model (CDM) ⁽⁶⁾	1000		

Notes:

⁽¹⁾Output voltage can be set up to 36 V even if the V_{CC} is lower.

⁽²⁾Short-circuits from the output to V_{CC}^+ can cause excessive heating and potential destruction. The maximum output current is approximately 20 mA independent of the magnitude of V_{CC}^+ .

⁽³⁾Short-circuits can cause excessive heating. These values are typical.

⁽⁴⁾Human body model: a 100 pF capacitor is charged to the specified voltage, then discharged through a 1.5 k Ω resistor between two pins of the device. This is done for all couples of connected pin combinations while the other pins are floating.

⁽⁵⁾Machine model: a 200 pF capacitor is charged to the specified voltage, then discharged directly between two pins of the device with no external series resistor (internal resistor < 5 Ω). This is done for all couples of connected pin combinations while the other pins are floating.

⁽⁶⁾Charged device model: all pins and package are charged together to the specified voltage and then discharged directly to ground through only one pin. This is done for all pins.

Table 2: Operating conditions

Symbol	Parameter	Value	Unit	
V_{CC}	Supply voltage	2 to 36 or ± 1 to ± 18	V	
V_{icm}	Input common mode voltage range ⁽¹⁾	$T_{amb} = 25$ °C		0 to $(V_{CC}^+) - 1.5$
		$T_{min} \leq T_{amb} \leq T_{max}$		0 to $(V_{CC}^+) - 2$
T_{oper}	Operating free-air temperature range	-40 to 125	°C	

Notes:

⁽¹⁾The input common-mode voltage of either input signal voltage should not be allowed to go negative by more than 0.3 V. The upper end of the common-mode voltage range is $(V_{CC}^+) - 1.5$ V, but either or both inputs can go to 30 V without damage.

4 Electrical characteristics

Table 3: $V_{CC+} = 5\text{ V}$, $V_{CC-} = 0\text{ V}$, $T_{amb} = 25\text{ °C}$ (unless otherwise specified)

Symbol	Parameter and test conditions	Min.	Typ.	Max.	Unit
V_{io}	Input offset voltage ⁽¹⁾		1	5	mV
	Input offset voltage, $T_{min} \leq T_{amb} \leq T_{max}$			9	
I_{io}	Input offset current		5	50	nA
	Input offset current, $T_{min} \leq T_{amb} \leq T_{max}$			150	
I_{ib}	Input bias current ⁽²⁾		25	250	
	Input bias current, $T_{min} \leq T_{amb} \leq T_{max}$			400	
A_{VD}	Large signal voltage gain, (V_{CC+}) = 15 V, $R_L=15\text{ k}\Omega$, $V_o = 1\text{ to }11\text{ V}$	50	200		V/mV
I_{CC}	Supply current (V_{CC+}) = 5 V, no load		0.2	0.5	mA
	Supply current (V_{CC+}) = 30 V, no load		0.5	1.25	
V_{id}	Differential input voltage ⁽³⁾			V_{CC+}	V
I_{sink}	Output sink current, $V_{id} = -1\text{ V}$, $V_o = 1.5\text{ V}$	6	16		mA
V_{OL}	Low level output voltage, $V_{id} = 1\text{ V}$, $V_{CC+} = V_o = 30\text{ V}$		250	400	mV
				700	
I_{OH}	High level output current, $V_{id} = 1\text{ V}$, $V_{CC+} = V_o = 30\text{ V}$		0.1		nA
				1	μA
t_{re}	Small signal response time, $R_L = 5.1\text{ k}\Omega$ to (V_{CC+}) ⁽⁴⁾		1.3		μs
t_{rel}	Large signal response time, $V_i = \text{TTL}$, $V_{ref} = 1.4\text{ V}$, $R_L = 5.1\text{ k}\Omega$ to V_{CC+}		300		ns

Notes:

⁽¹⁾At the output switch point, $V_o \approx 1.4\text{ V}$, $R_S = 0\ \Omega$ with (V_{CC+}) from 5 V to 30 V, and over the full input common-mode range (0 V to (V_{CC+}) - 1.5 V).

⁽²⁾The direction of the input current is out of the IC due to the PNP input stage. This current is essentially constant, independent of the state of the output, so there is no load charge on the reference of input lines.

⁽³⁾Positive excursions of the input voltage may exceed the power supply level. As long as the other voltage remains within the common-mode range, the comparator will provide a proper output state. The low input voltage state must not be less than -0.3 V (or 0.3 V below the negative power supply, if used)

⁽⁴⁾The response time specified is for a 100 mV input step with 5 mV overdrive. For larger overdrive signals, 300 ns can be obtained.

5 Electrical characteristic curves

Figure 3: Supply current vs. supply voltage

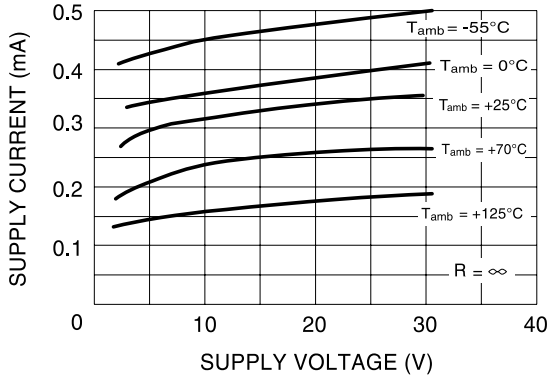


Figure 4: Response time for various input overdrives - negative transition

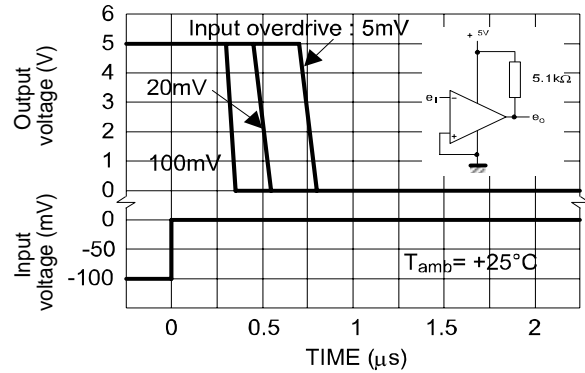


Figure 5: Input current vs. supply voltage

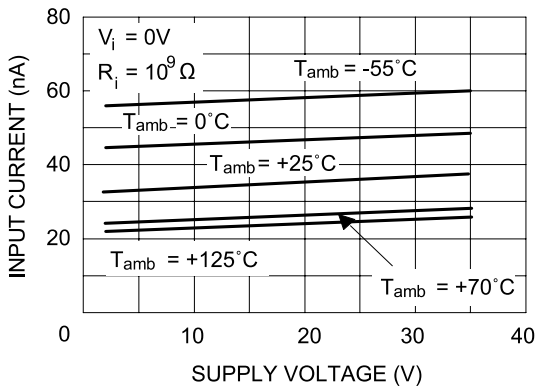


Figure 6: Response time for various input overdrives - positive transition

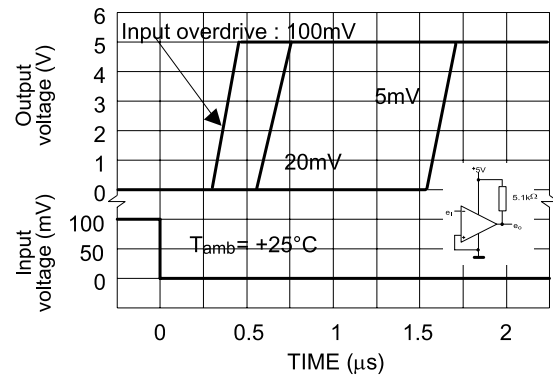
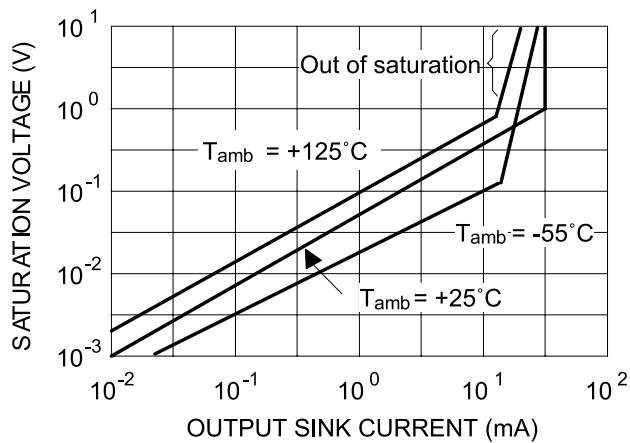


Figure 7: Output saturation voltage vs. output current



6 Package information

In order to meet environmental requirements, ST offers these devices in different grades of ECOPACK[®] packages, depending on their level of environmental compliance. ECOPACK[®] specifications, grade definitions and product status are available at: www.st.com. ECOPACK[®] is an ST trademark.

6.1 SOT23-5 package information

Figure 8: SOT23-5 package outline

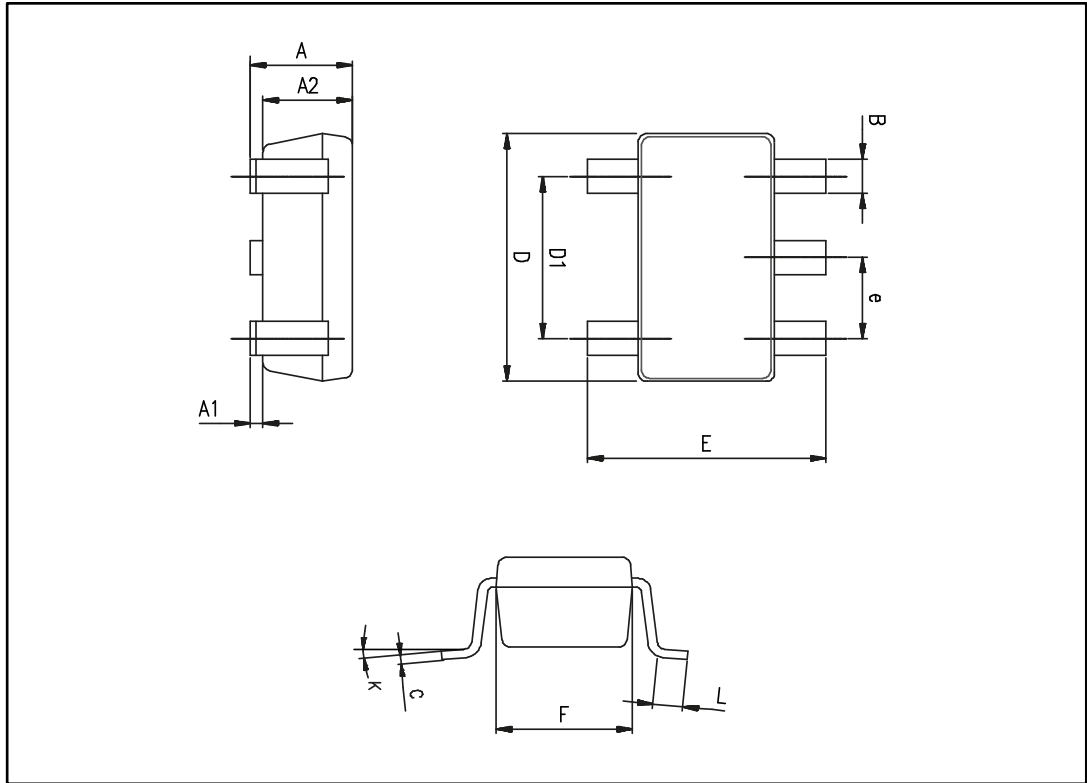


Table 4: SOT23-5 mechanical data

Ref.	Dimensions					
	Millimeters			Inches		
	Min.	Typ.	Max.	Min.	Typ.	Max.
A	0.90	1.20	1.45	0.035	0.047	0.057
A1			0.15			0.006
A2	0.90	1.05	1.30	0.035	0.041	0.051
B	0.35	0.40	0.50	0.014	0.016	0.020
C	0.09	0.15	0.20	0.004	0.006	0.008
D	2.80	2.90	3.00	0.110	0.114	0.118
D1		1.90			0.075	
e		0.95			0.037	
E	2.60	2.80	3.00	0.102	0.110	0.118
F	1.50	1.60	1.75	0.059	0.063	0.069
L	0.10	0.35	0.60	0.004	0.014	0.024
K	0 degrees		10 degrees	0 degrees		10 degrees

6.2 DFN8 2 x 2 package information

Figure 9: DFN8 2 x 2 package outline

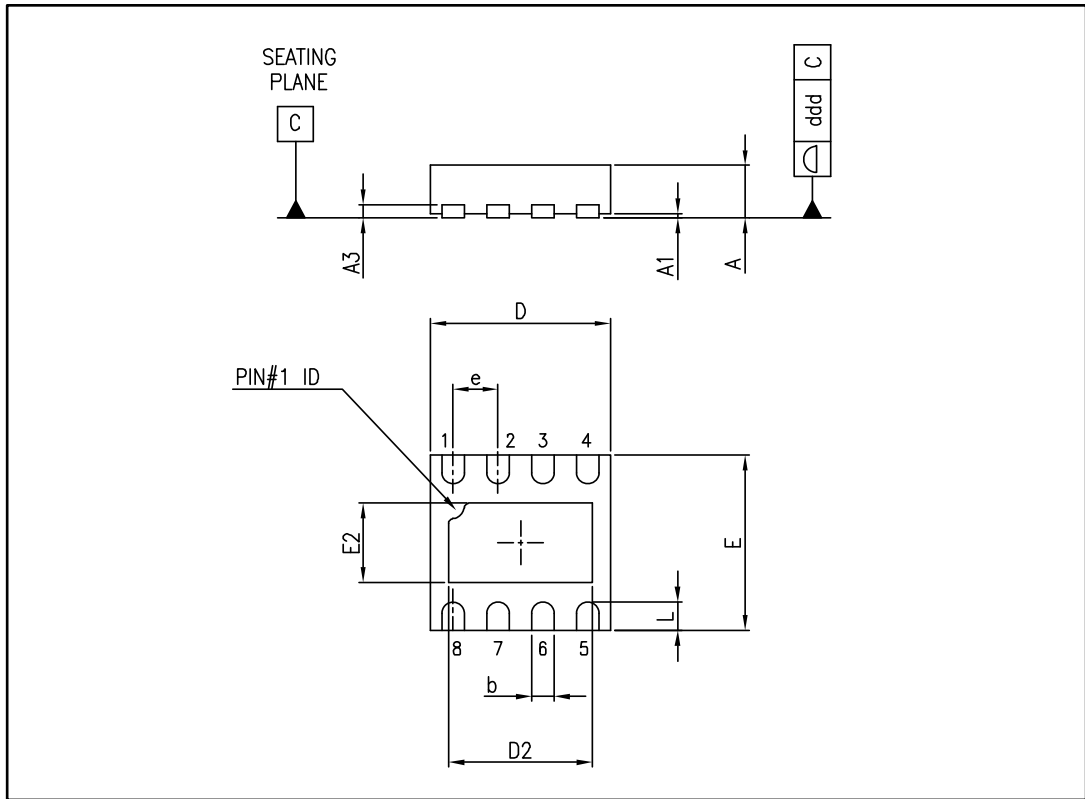
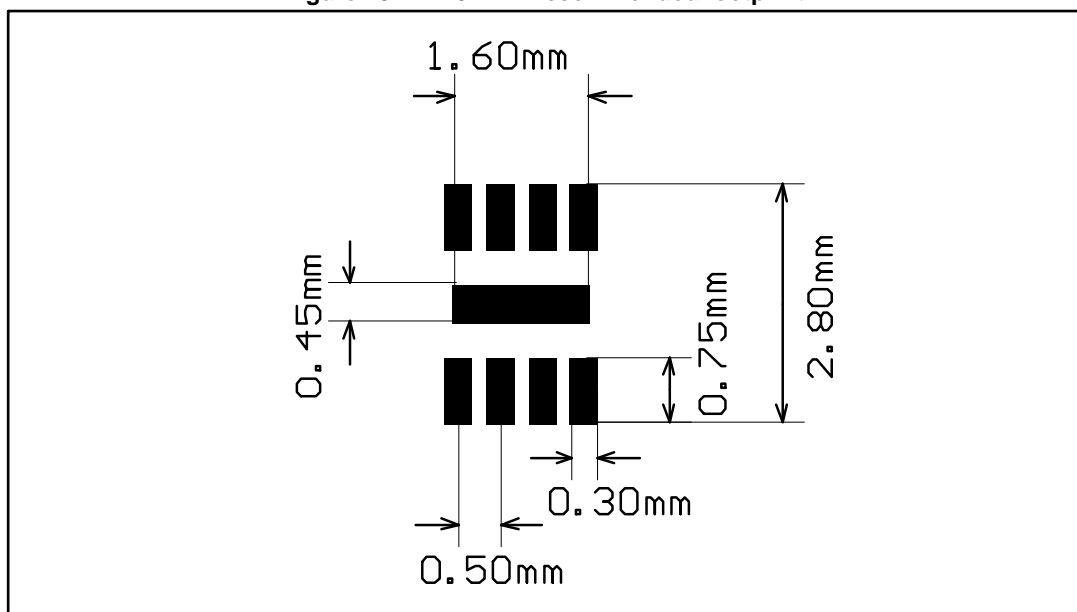


Table 5: DFN8 2 x 2 mechanical data

Ref.	Dimensions					
	Millimeters			Inches		
	Min.	Typ.	Max.	Min.	Typ.	Max.
A	0.51	0.55	0.60	0.020	0.022	0.024
A1			0.05			0.002
A3		0.15			0.006	
b	0.18	0.25	0.30	0.007	0.010	0.012
D	1.85	2.00	2.15	0.073	0.079	0.085
D2	1.45	1.60	1.70	0.057	0.063	0.067
E	1.85	2.00	2.15	0.073	0.079	0.085
E2	0.75	0.90	1.00	0.030	0.035	0.039
e		0.50			0.020	
L			0.425			0.017
ddd			0.08			0.003

Figure 10: DFN8 2 x 2 recommended footprint



7 Ordering information

Table 6: Order codes

Part number	Temperature range	Package	Packaging	Marking
TS391ILT	-40 °C to 125 °C	SOT23-5	Tape and reel	K511
TS391IYLT ⁽¹⁾		SOT23-5 (automotive grade)		K510
TS391RILT		SOT23-5		K509
TS391IQ2T		DFN8 2x2		K5D

Notes:

⁽¹⁾Qualification and characterization according to AEC Q100 and Q003 or equivalent, advanced screening according to AEC Q001 & Q002 or equivalent.

8 Revision history

Table 7: Document revision history

Date	Revision	Changes
22-Sep-2004	1	Initial release.
06-Jan-2006	2	PPAP reference inserted in the document.
21-Nov-2007	3	Added values for R_{thja} , R_{thjc} and ESD in Table 1: Absolute maximum ratings (AMR). Added footnote for automotive grade order code in order codes table. Updated format.
21-Jan-2010	4	Corrected ESD tolerance values for human body model and machine model in Table 1: Absolute maximum ratings (AMR) and added ESD tolerance value for charged device model. Updated note 1 in Table 6: Order codes.
23-May-2011	5	Added TS391R pinout on page 1. Modified V_{CC} range in Table 2: Operating conditions. Added TS391RILT order code in Table 6: Order codes.
02-Mar-2012	6	Added DFN8 package information and changed SOT23-5L package drawing in Chapter 4.
06-nov-2015	7	Removed letter "L" and "plastic package" from SOT23-5 silhouette and letters "Q2" and "plastic micropackage" from DFN8 2x2 silhouette. Standardized name of the DFN8 package to: "DFN8 2x2" throughout datasheet. <i>Table 1: "Absolute maximum ratings (AMR)":</i> added parameter V_o <i>Table 4: "SOT23-5 mechanical data":</i> updated "K" parameter. <i>Table 5: "DFN8 2 x 2 mechanical data":</i> Table 5: updated "L" parameter.

IMPORTANT NOTICE – PLEASE READ CAREFULLY

STMicroelectronics NV and its subsidiaries ("ST") reserve the right to make changes, corrections, enhancements, modifications, and improvements to ST products and/or to this document at any time without notice. Purchasers should obtain the latest relevant information on ST products before placing orders. ST products are sold pursuant to ST's terms and conditions of sale in place at the time of order acknowledgement.

Purchasers are solely responsible for the choice, selection, and use of ST products and ST assumes no liability for application assistance or the design of Purchasers' products.

No license, express or implied, to any intellectual property right is granted by ST herein.

Resale of ST products with provisions different from the information set forth herein shall void any warranty granted by ST for such product.

ST and the ST logo are trademarks of ST. All other product or service names are the property of their respective owners.

Information in this document supersedes and replaces information previously supplied in any prior versions of this document.

© 2015 STMicroelectronics – All rights reserved